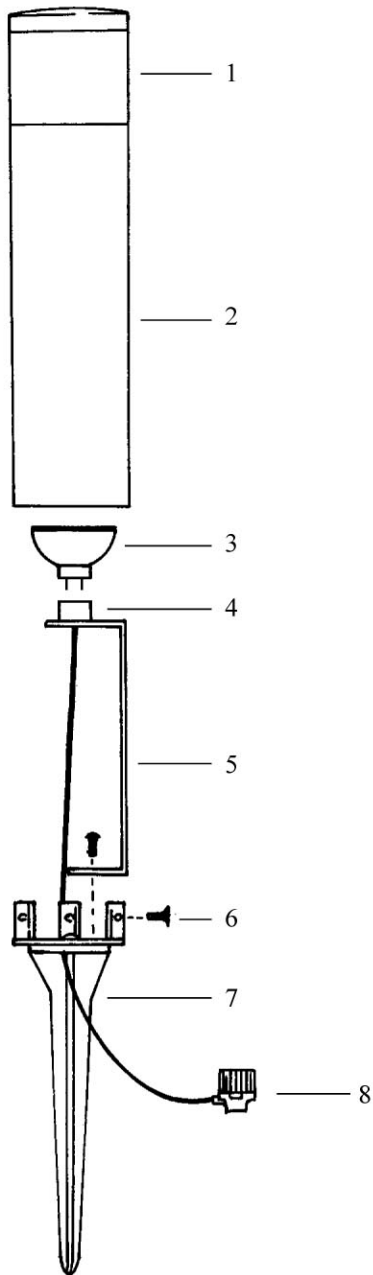


**REPAIR PARTS**



KEY NO.	PART NO.	DESCRIPTION
1	J-0017	Lens
2	H-0029G	Upper housing
3	LB-20	12V, 20W halogen bulb
4	V-0011	Socket
5	G-0032	Extension bracket
6	N-0011	Mounting screw
7	G-0031	Stake
8	V-0006	Connector