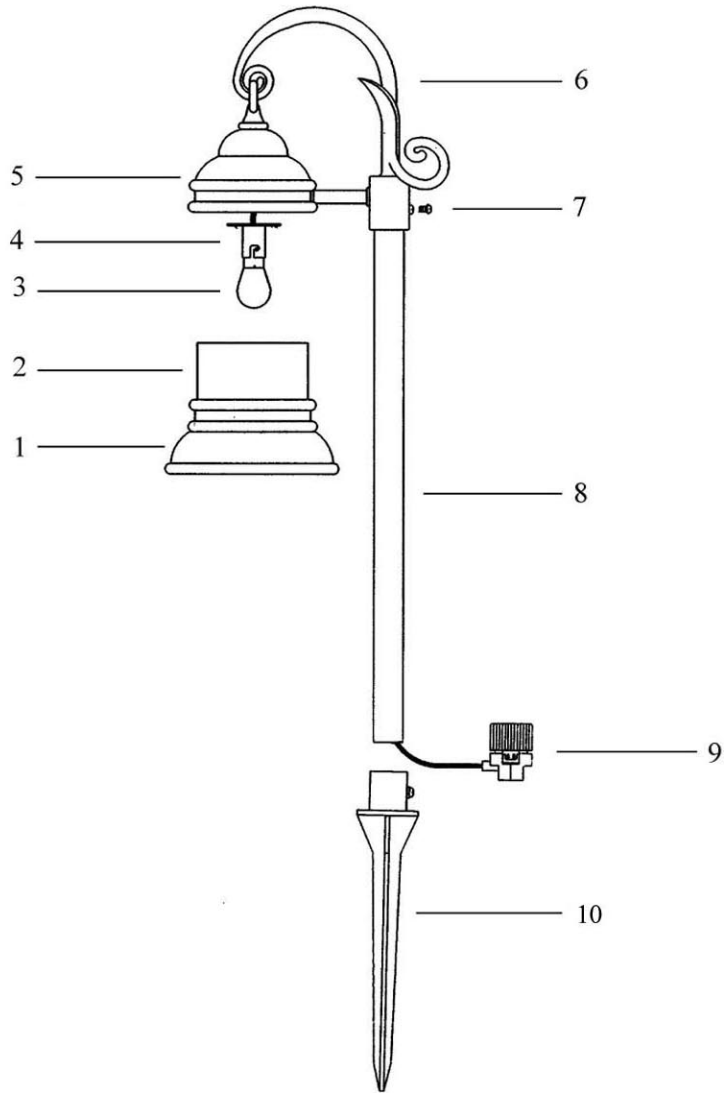


**REPAIR PARTS**



KEY NO.	PART NO.	DESCRIPTION
1	H-0031K	Lower Housing
2	J-0020	Lens
3	LB-18B	12V, 18 Watt Bulb
4	V-0008	Socket
5	H-0032 K	Upper Housing
6	M-0017K	Hanger Pipe
7	N-0013	Setscrew
8	M-0016K	Extension Pipe
9	V-0006	Connector
10	G-0037	Ground Stake