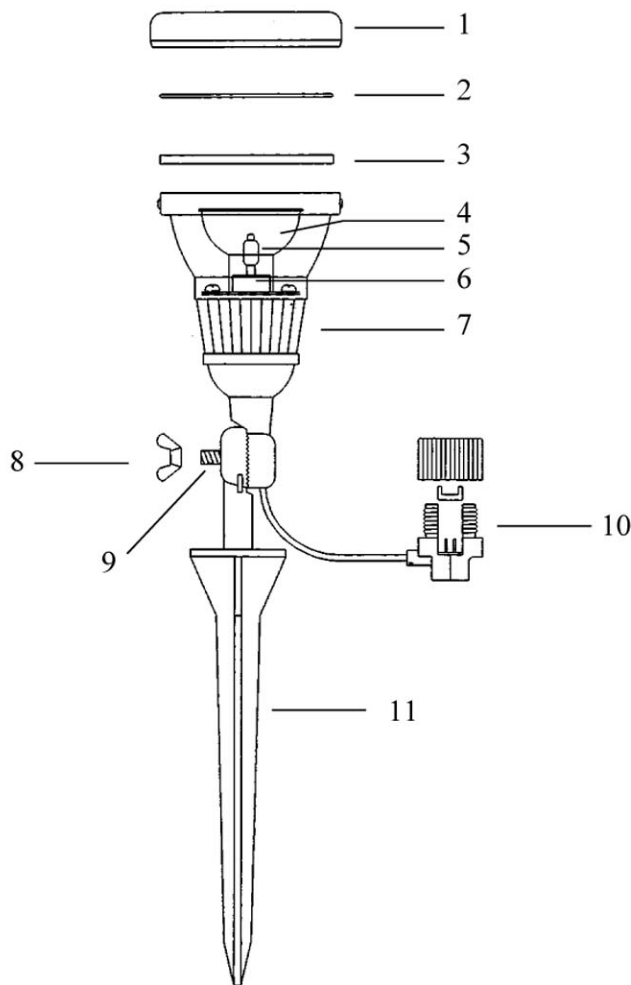


REPAIR PARTS



KEY NO.	PART NO.	DESCRIPTION
1	L-0020	Lens Housing
2	S-0018	"O" Ring
3	S-0019	Glass Lens
4	S-0017	Reflector
5	C-0012	12V, 12Watt Halogen bulb
6	V-0015	Socket
7	R-0011	Housing
8	U-0001	Wing Nut
9	U-0017	Threaded Shaft
10	V-0006	Connector
11	G-0033	Ground Stake

U.S. PAT. NO. 5499931, 4645980, 4851738, 4733323
 AUSTRALIA PAT. NO. 573179
 E.P.C. PAT. NO. 0101147
 U.C. PAT. NO. 120680