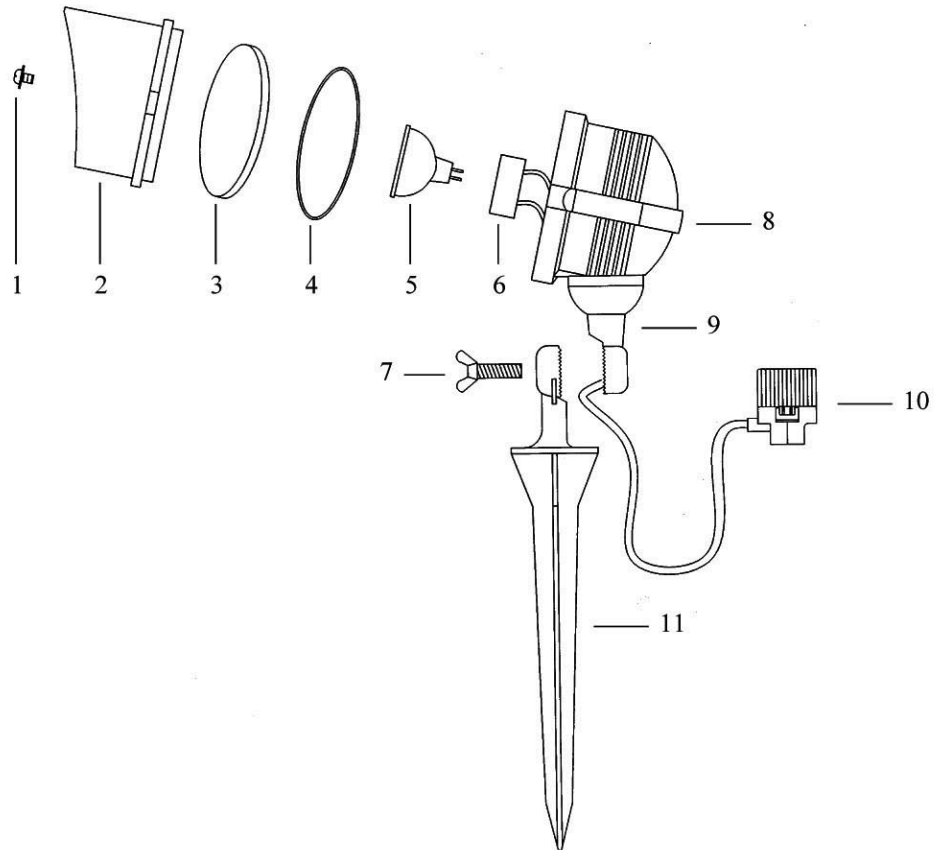


REPAIR PARTS



KEY NO.	PART NO.	DESCRIPTION
1	U-0003	Lens Mounting Screw
2	S-0001G	Hood
3	T-0003	Lens
4	S-0005	Gasket
5	UL35H1(16)	12V, 35 Watt Halogen Lamp
6	V-0038	Halogen Socket
7	U-0023	Wing Nut
8	R-0002G	Lamp Housing
9	R-0014G	Adapter
10	V-0006	Cable Connector
11	G-0033G	Ground Stake