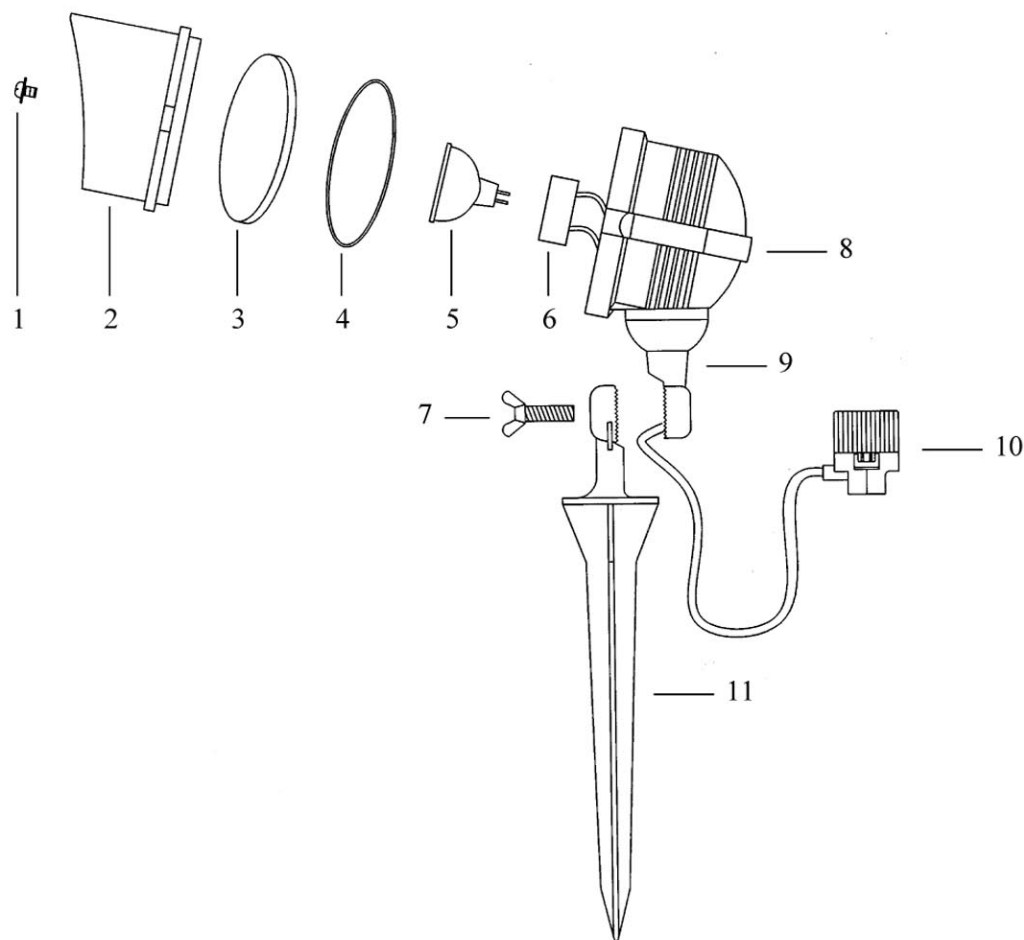


REPAIR PARTS



KEY NO.	PART NO.	DESCRIPTION
1	U-0003	Lens Mounting Screw
2	S-0001T	Hood
3	T-0003	Lens
4	S-0005	Gasket
5	UL35H1(16)	12V, 35 Watt Halogen Lamp
6	V-0038	Halogen Socket
7	U-0023	Wingscrew
8	R-0002T	Lamp Housing
9	R-0014T	Adapter
10	V-0006	Cable Connector
11	G-0033T	Ground Stake

U.S. PAT. NO. 5499931, 4645980, 4851738, 4733323
 AUSTRALIA PAT. NO. 573179
 E.P.C. PAT. NO. 0101147
 R.O.C. PAT. NO. 120680