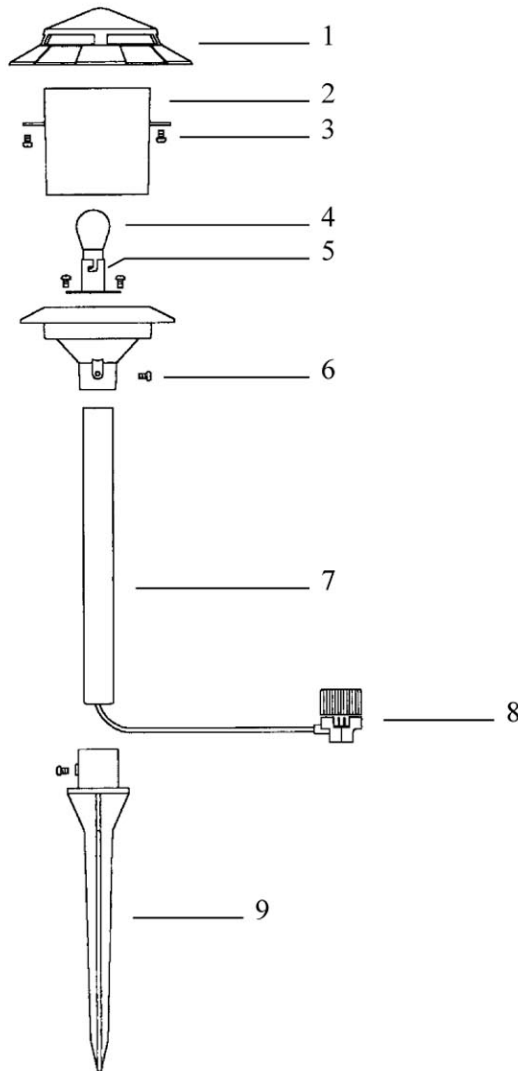


REPAIR PARTS



KEY NO.	PART NO.	DESCRIPTION
1	L-0023	Lens Cap
2	J-0026	Lens
3	N-0018	Mounting Screw
4	LB-18B	12V, 18 Watt Bulb
5	V-0030	Socket Assembly
6	N-0015	Setscrew
7	M-0022	Extension Pipe
8	V-0006	Connector
9	G-0014S	Ground Stake

U.S. PAT. NO. 5499931, 4645980, 4851738, 4733323
 AUSTRALIA PAT. NO. 573179
 E.P.C. PAT. NO. 0101147
 R.O.C. PAT. NO. 120680