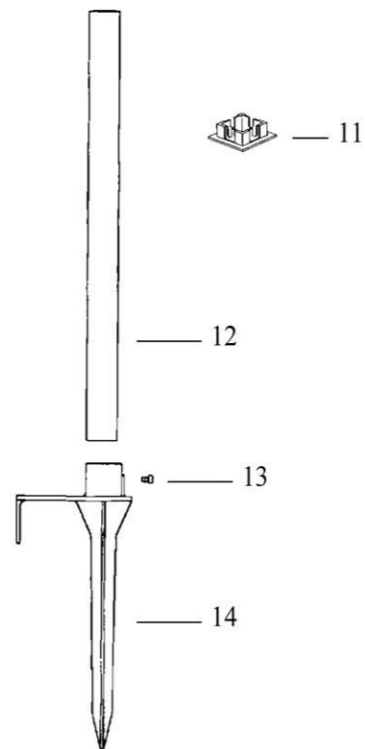
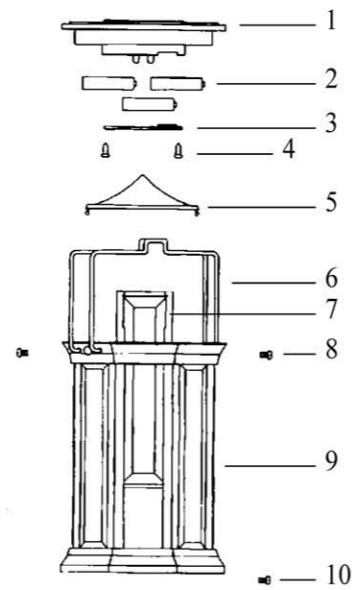


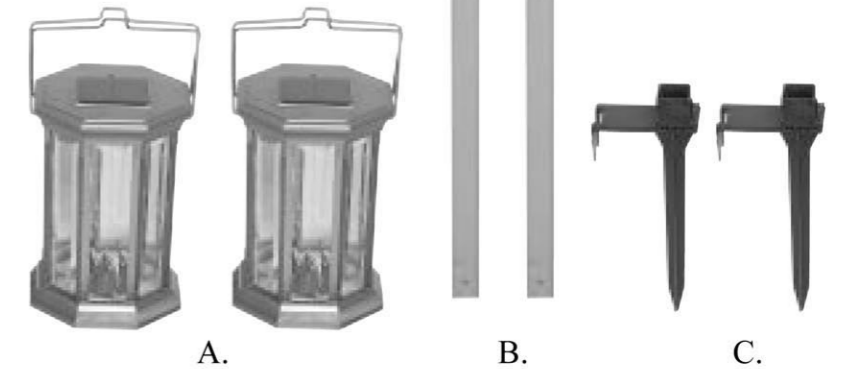
REPAIR PARTS



Key No.	Part No.	Description
1	C-0025	Fixture Top w/Solar Cell
2	NIMH3	NIMH Battery(AAA)
3	L-0047	Battery Cover
4	N-0055	Setscrew
5	S-0039	Reflector
6	P-0043	Wire Handle (2)
7	J-0053	Glass Panel
8	N-0056	Setscrew
9	H-0076	Lower Housing
10	N-0056	Setscrew
11	P-0047	Stabilizer
12	M-0052	Square Post
13	N-0054	Setscrew
14	G-0061	Ground Stake

TWILIGHT
SOLAR
OUTDOOR LIGHTING

**MODEL NO.
CSN-33F(2)**



PATENT PENDING

**THIS PACKAGE CONTAINS 2 EACH OF THE
FOLLOWING:**

- A. Solar light w/AAA nickel-metal hydride (NiMH)
rechargeable batteries.
- B. Square Post.
- C. Ground Stake.

2-PIECE SOLAR LANTERN SET

CAUTION:

**Solar lights enclosed contain glass panels,
be careful not to drop fixture--glass may break.**