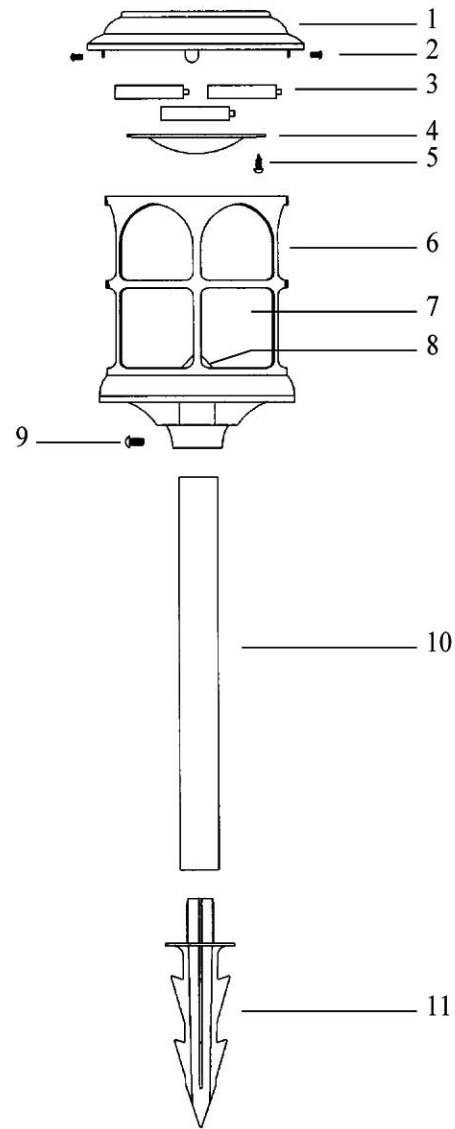


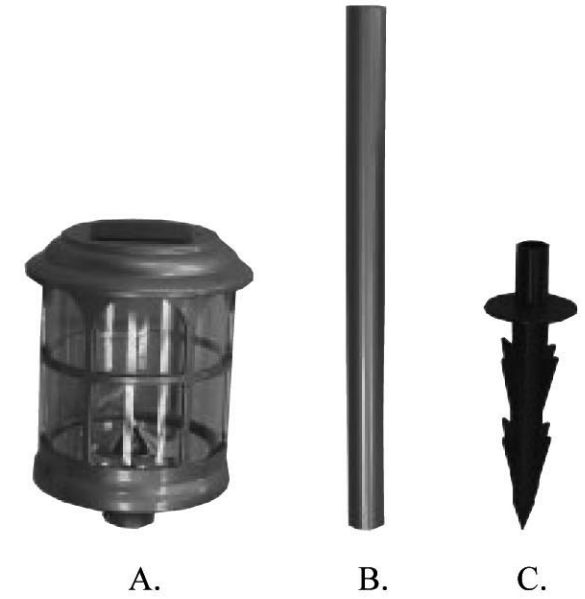
REPAIR PARTS



Key No.	Part No.	Description
1	C-0028	Fixture Top w/Solar Cell
2	N-0063	Setscrew
3	NiMH3(60)	NIMH Battery(AAA)
4	L-0048	Battery Cover
5	N-0064	Setscrew
6	H-0081	Lower Housing
7	J-0057	Lens
8	S-0041	Reflector
9	N-0065	Setscrew
10	M-0056	Round Post
11	G-0054	Ground Stake

TWILIGHT
SOLAR
OUTDOOR LIGHTING

**MODEL NO.
CSN-36**



PATENT PENDING

**THIS PACKAGE CONTAINS 1 EACH OF THE
FOLLOWING:**

- A. Solar light w/AAA nickel-metal hydride (NiMH) rechargeable batteries.
- B. Round Post.
- C. Ground Stake.

1 - SOLAR LANTERN