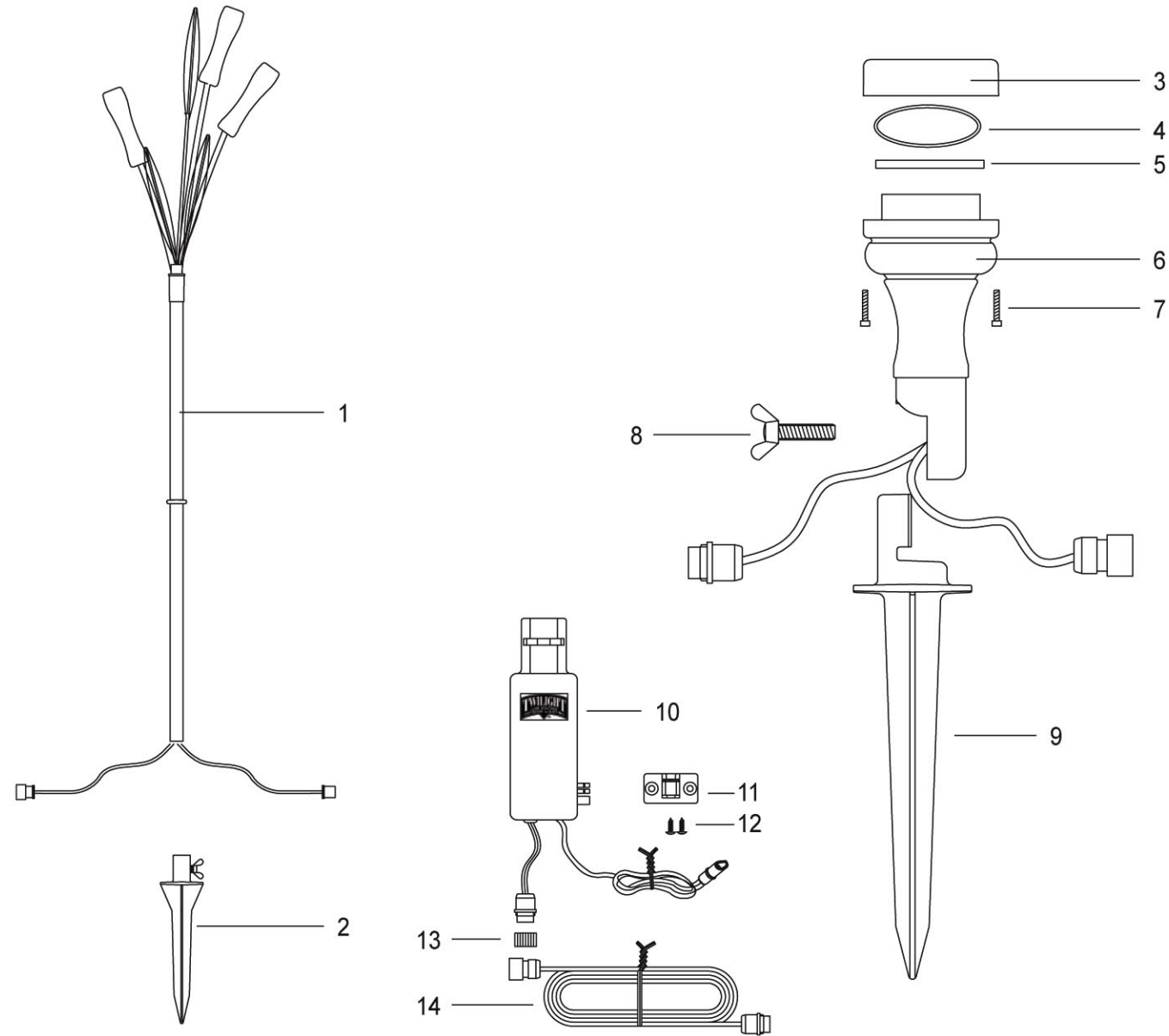


REPAIR PARTS

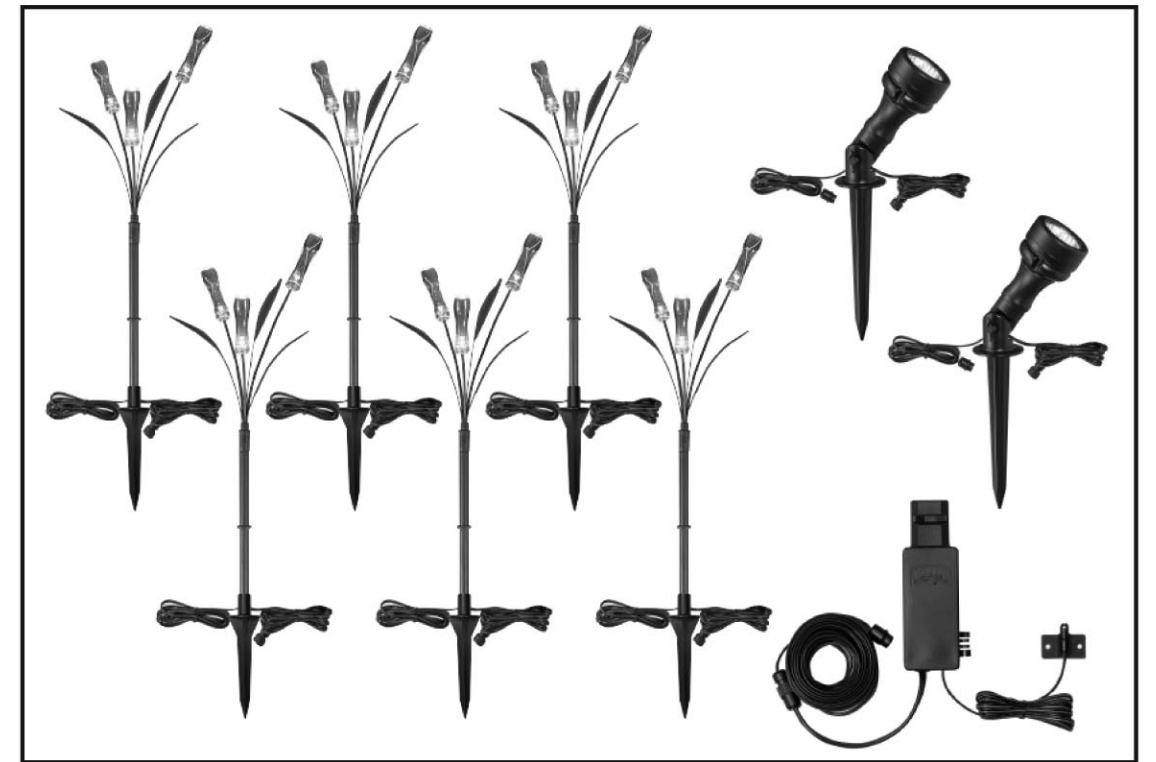


Key No.	Part No.	Description
1	H-0096DD	Lens w/LED's, cable & connector & Extension Pipe
2	G-0062	Ground Stake with wing screw
3	L-0052B	Hood
4	S-0046	"O" Ring
5	T-0035	Lens
6	H-0087B	Housing w/Reflector, LEDs & Wiring Assembly

7	N-0072	Screws for Housing
8	U-0023	Wing Nut
9	G-0057B	Ground Stake
10	A-0026	Power Transformer
11	B-0004	Photosensor Bracket
12	N-0090	Bracket Mounting Screws
13	P-0053	Endcap
14	D-0008	30ft. of Cable

Plug-N-Go
by Twilight Landscape Lighting

Model No. FCDD(BL)-2A6CA



SET INCLUDES

6 Pre-wired Light Fixture Heads with LED Bulbs & Extension Pipes

6 Ground Stakes with wing screw

2 Pre-wired Floodlight Heads with LED Bulbs and Wing Screws

2 Floodlight Ground Stakes

Power Transformer

- Input: 120 Volts, AC
- Output: 12 Volts, DC (10 Watts)
- Provides Automatic Dusk to Dawn Control of Lighting Fixtures
- Pre-Wired with 30 Ft. of Low Voltage Cable & Plug-N-Go Connector