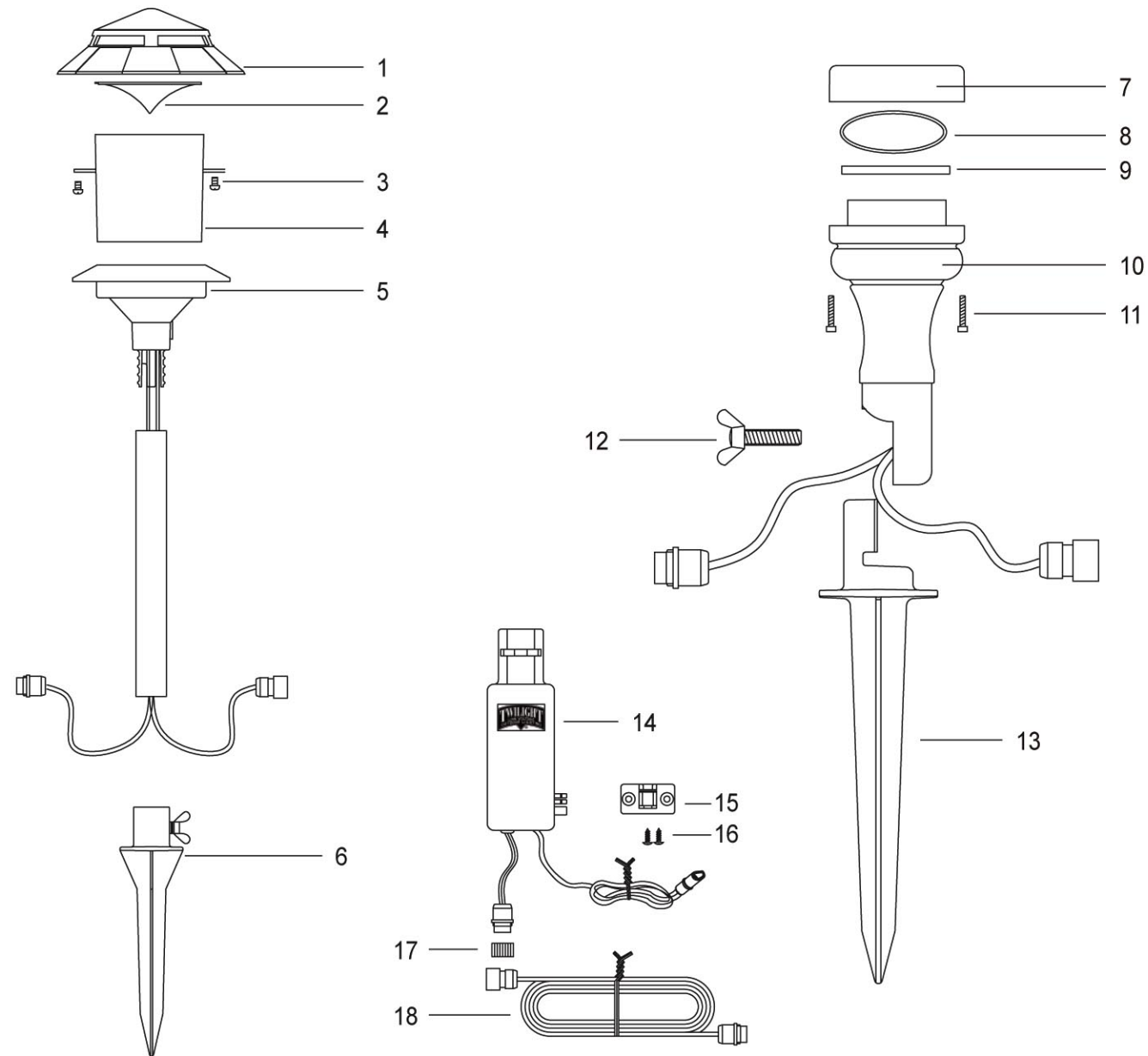


## REPAIR PARTS

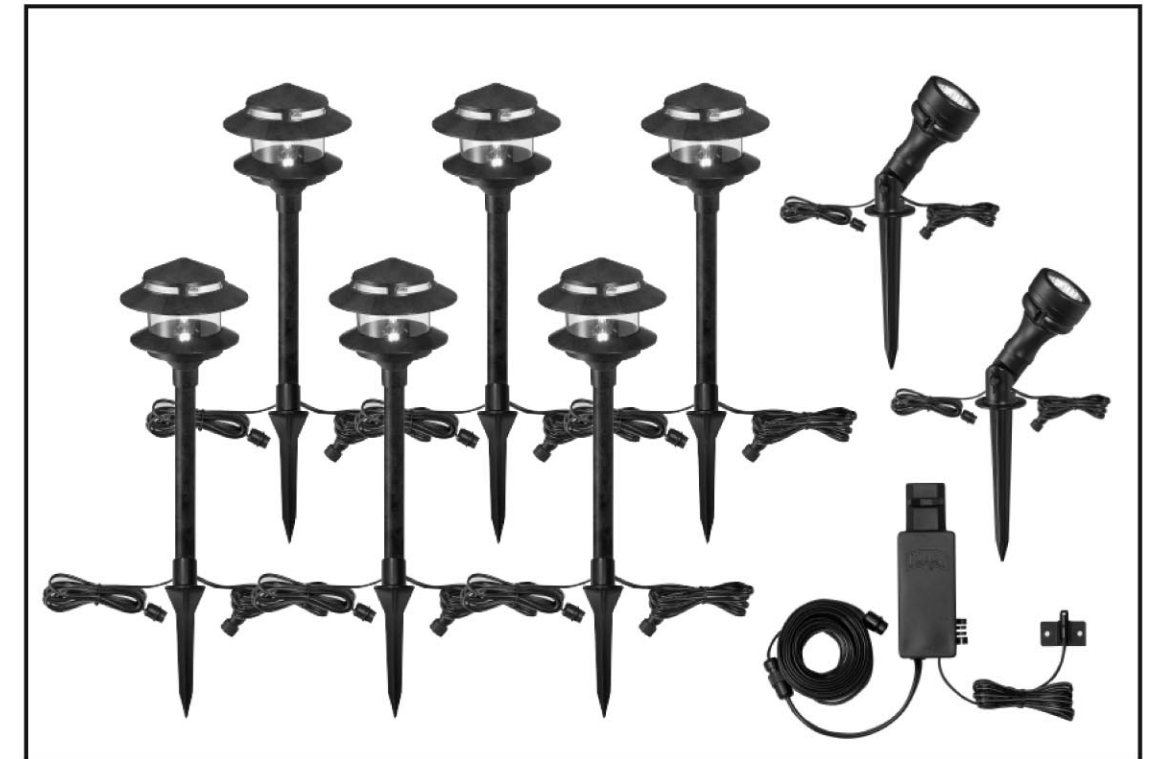


Key No.	Part No.	Description
1	L-0023EE	Lens Cap
2	S-0057	Reflector
3	N-0015	Mounting Screw
4	T-0033	Lens
5	H-0107EE	Lower Housing/Pipe Assembly
6	G-0065	Ground Stake with wing screw

10	H-0087B	Housing w/Reflector, LEDs & Wiring Assembly
11	N-0072	Screws for Housing
12	U-0023	Wing Nut
13	G-0057B	Ground Stake
14	A-0026	Power Transformer
15	B-0004	Photosensor Bracket
16	N-0090	Bracket Mounting Screws
17	P-0053	Endcap
18	D-0008	30ft. of Cable

*Plug-N-Go*  
by Twilight Landscape Lighting

Model No. FCEE(BL)-2A6MA



### SET INCLUDES

- 6 Pre-wired Light Fixture Heads with LED Bulbs & Extension Pipes**
- 6 Ground Stakes with wing screw**
- 2 Pre-wired Floodlight Heads with LED Bulbs and Wing Screws**
- 2 Floodlight Ground Stakes**

#### Power Transformer

- Input: 120 Volts, AC
- Output: 12 Volts, DC (10 Watts)
- Provides Automatic Dusk to Dawn Control of Lighting Fixtures
- Pre-Wired with 30 Ft. of Low Voltage Cable & Plug-N-Go Connector