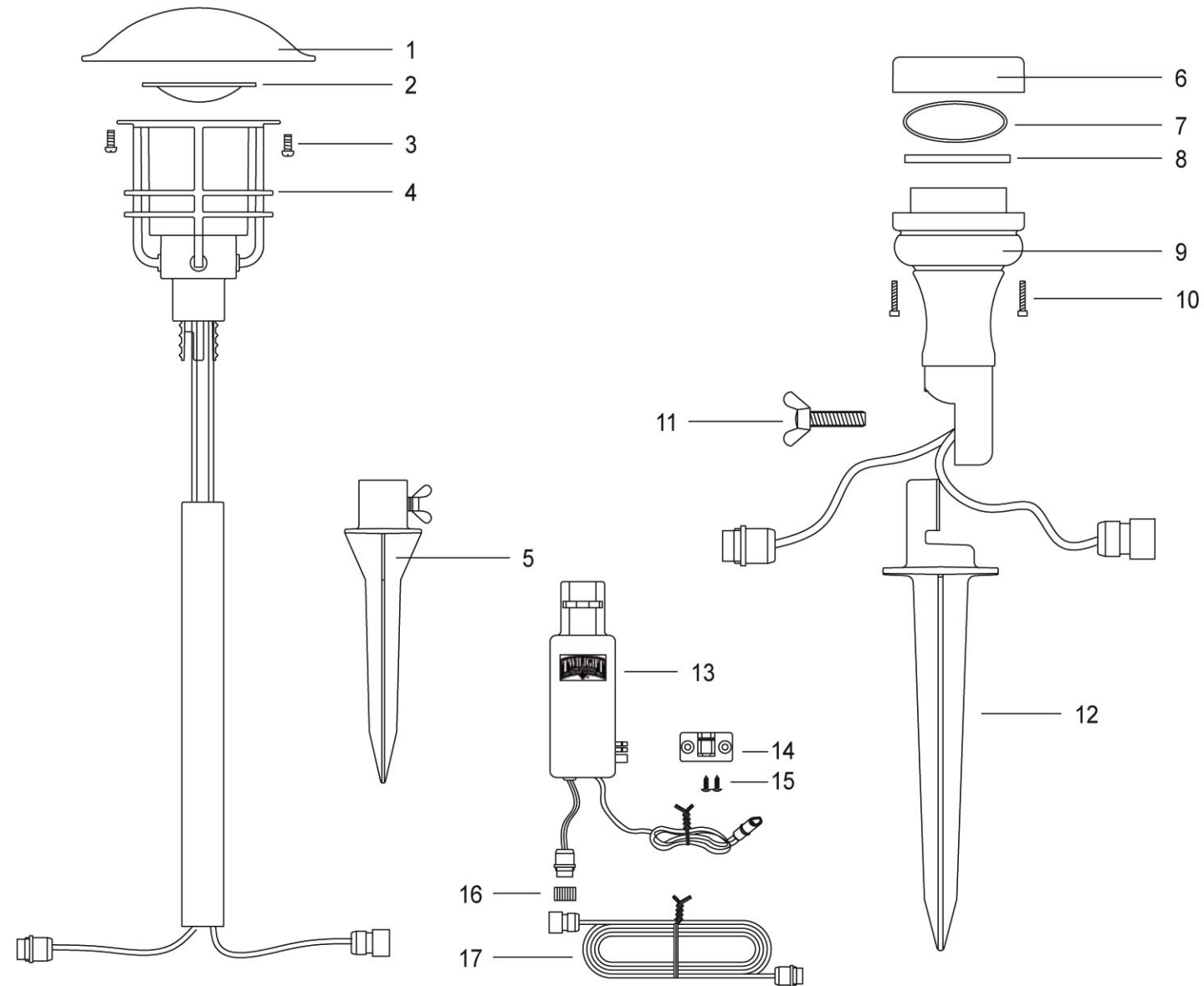


REPAIR PARTS

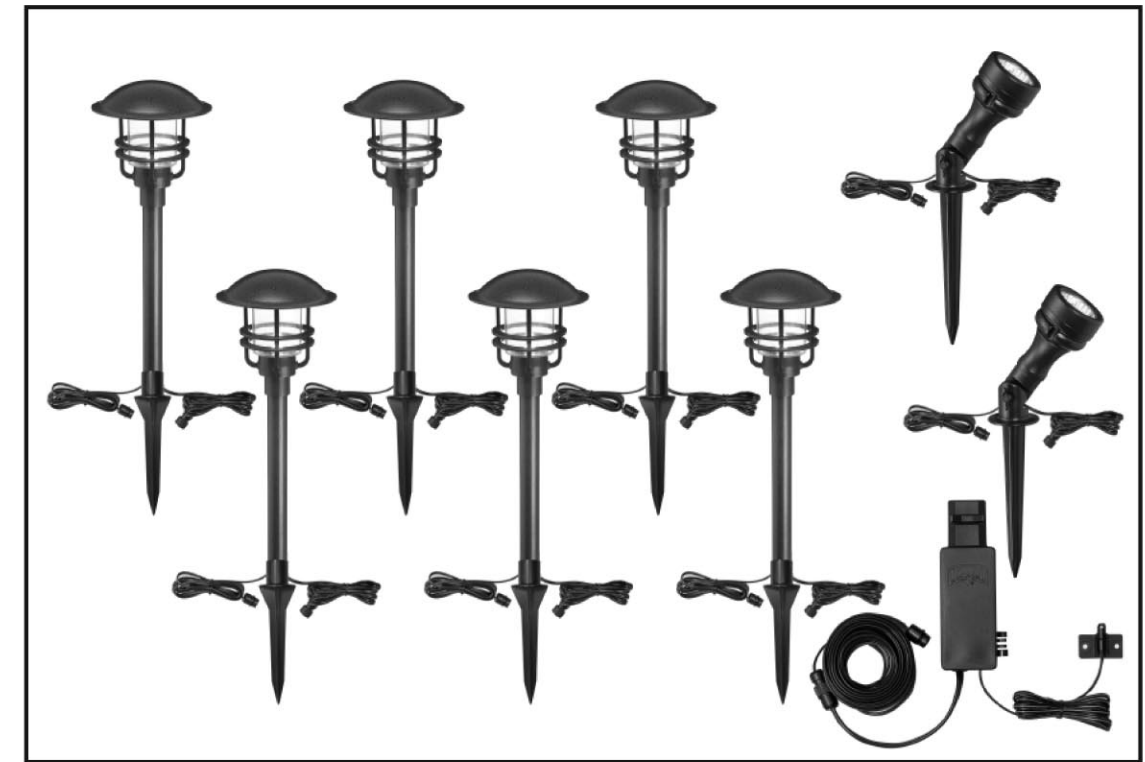


Key No.	Part No.	Description
1	L-0059Y	Fixture Top
2	S-0044	Reflector
3	N-0092	Top Mtg Screws
4	H-0105Y	Lower Housing/Pipe Assembly
5	G-0064	Ground Stake with wing screw
6	L-0052B	Hood
7	S-0046	"O" Ring
8	T-0035	Lens

9	H-0087B	Housing w/Reflector, LEDs & Wiring Assembly
10	N-0072	Screws for Housing
11	U-0023	Wing Nut
12	G-0057B	Ground Stake
13	A-0026	Power Transformer
14	B-0004	Photosensor Bracket
15	N-0090	Bracket Mounting Screws
16	P-0053	Endcap
17	D-0008	30ft. of Cable

Plug-N-Go
by Twilight Landscape Lighting

Model No. FCY(BL)-2A6NA



SET INCLUDES

6 Pre-wired Light Fixture Heads with LED Bulbs & Extension Pipes

6 Ground Stakes with wing screw

2 Pre-wired Floodlight Heads with LED Bulbs and Wing Screws

2 Floodlight Ground Stakes

Power Transformer

- Input: 120 Volts, AC
- Output: 12 Volts, DC (10 Watts)
- Provides Automatic Dusk to Dawn Control of Lighting Fixtures
- Pre-Wired with 30 Ft. of Low Voltage Cable & Plug-N-Go Connector