



Model No. FMLEE-9



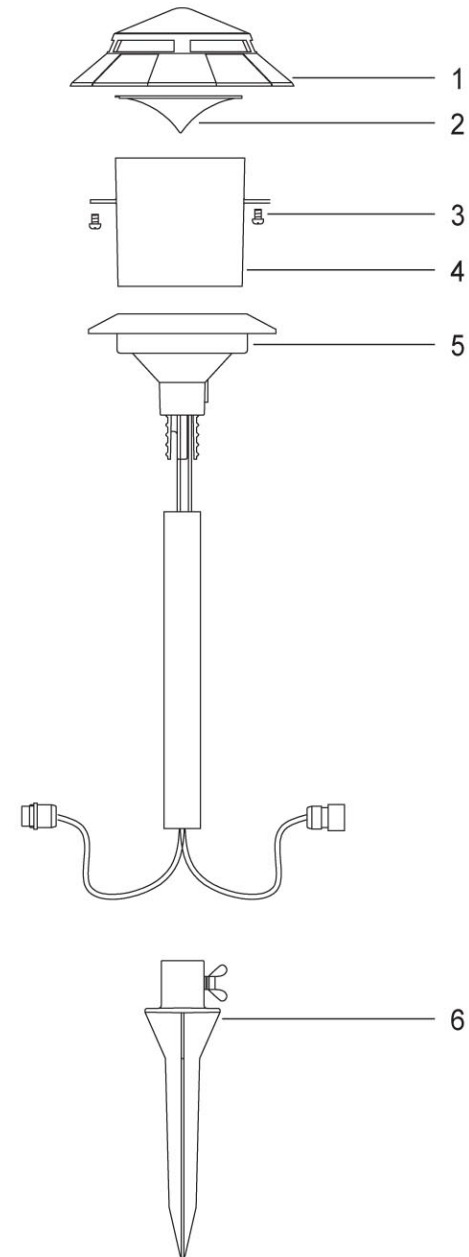
FOR USE WITH CBF-10 LOW VOLTAGE POWER TRANSFORMER OR SC-2 SOLAR PANEL

INCLUDES:

**Pre-wired Light Fixture Head with LED Bulbs
& Extension Pipe**

Ground Stake with wing screw

REPAIR PARTS



Key No.	Part No.	Description
1	L-0023EE	Lens Cap
2	S-0057	Reflector
3	N-0015	Mounting Screw
4	T-0033	Lens
5	H-0107EE	Lower Housing/Pipe Assembly
6	G-0065	Ground Stake with wing screw