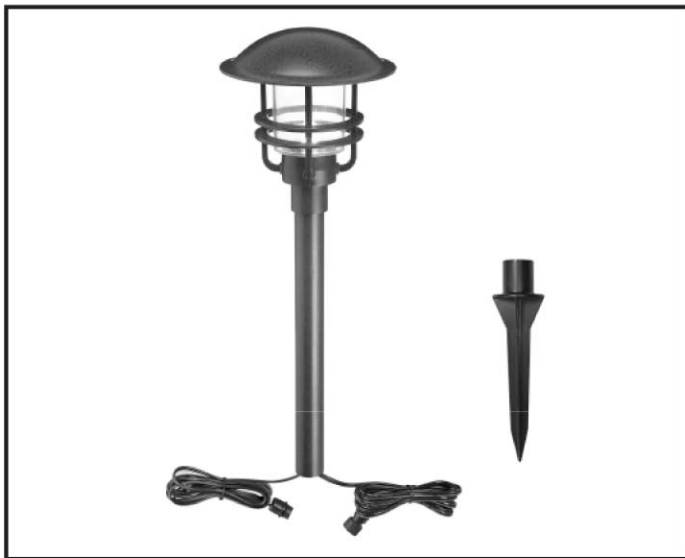




Model No. FMLY-12

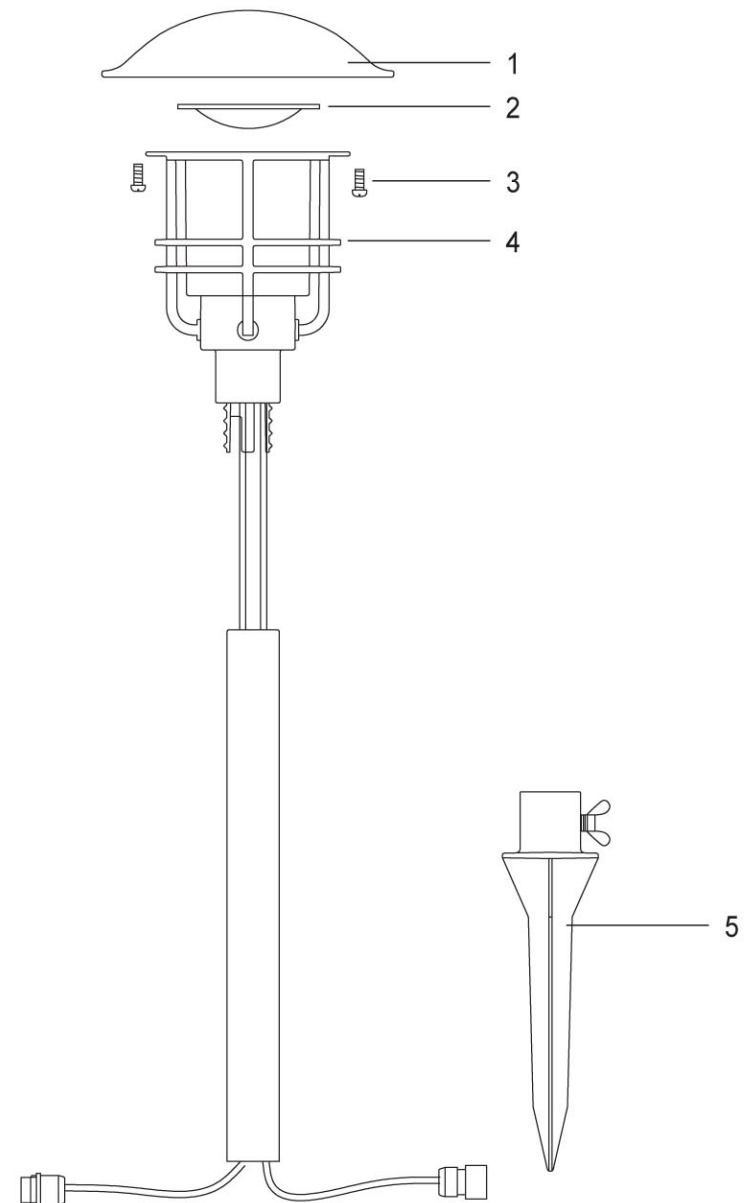


FOR USE WITH CBF-10 LOW VOLTAGE POWER TRANSFORMER OR SC-2 SOLAR PANEL

INCLUDES:

**Pre-wired Light Fixture Head with LED Bulbs
& Extension Pipe
Ground Stake with wing screw**

REPAIR PARTS



Key No.	Part No.	Description
1	L-0059Y	Fixture Top
2	S-0044	Reflector
3	N-0092	Top Mtg Screws
4	H-0105Y	Lower Housing/Pipe Assembly
5	G-0064	Ground Stake with wing screw