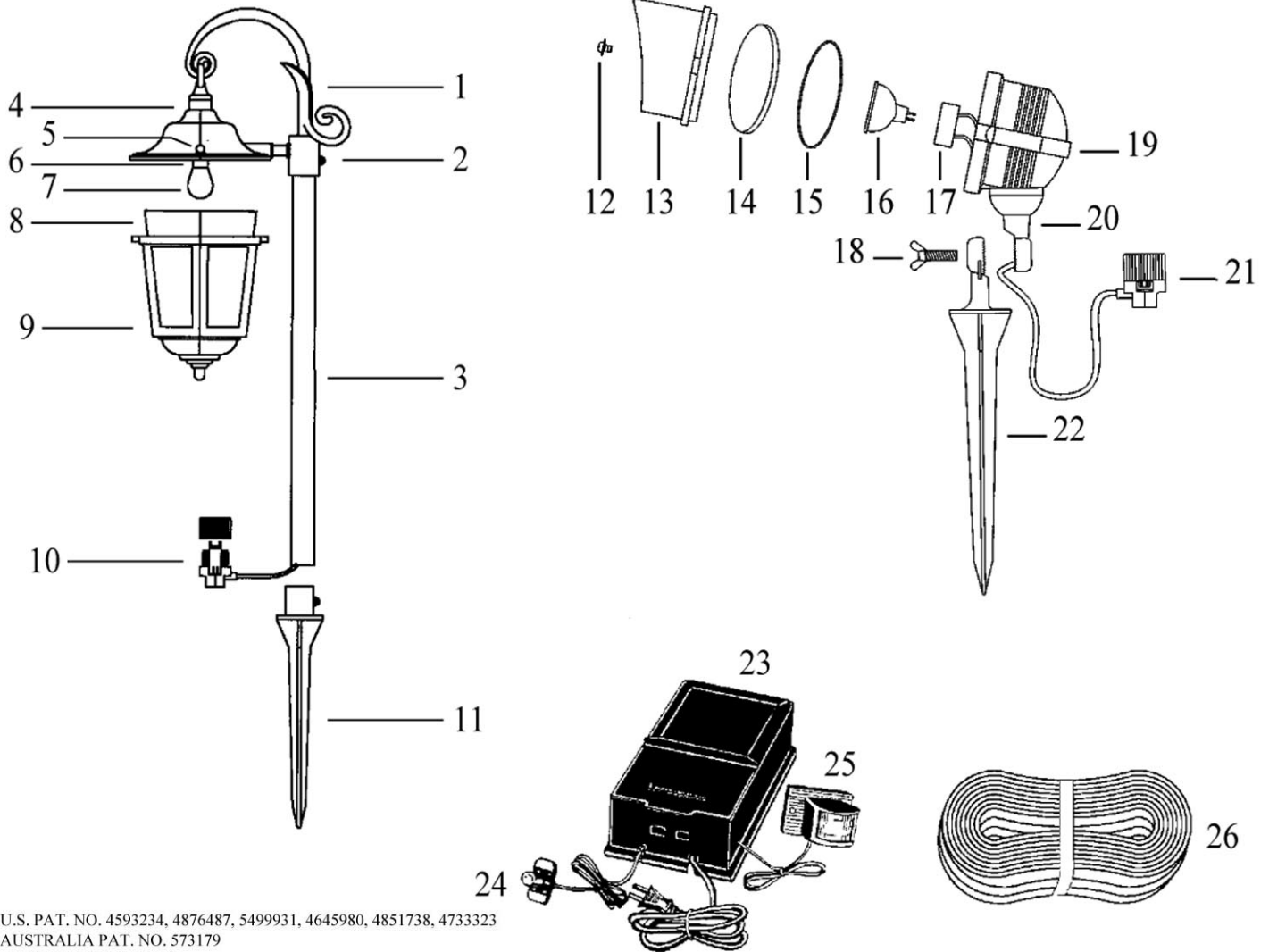


REPAIR PARTS



U.S. PAT. NO. 4593234, 4876487, 5499931, 4645980, 4851738, 4733323
 AUSTRALIA PAT. NO. 573179
 E.P.C. PAT. NO. 0101147
 R.O.C. PAT. NO. 120680

Key No.	Part No.	Description
1	M-0017G	Hanger Pipe
2	N-0013	Setscrew
3	M-0021G	Extension Pipe
4	H-0041G	Upper Housing
5	N-0020	Housing Screw
6	V-0031	Socket
7	LB-18B	12V, 18W Bulb
8	J-0025	Lens
9	H-0042G	Lower Housing
10	V-0006	Connector
11	G-0016-S	Ground Stake
12	U-0003	Lens Mounting Screw
13	S-0001G	Hood

Key No.	Part No.	Description
14	T-0003	Lens
15	S-0005	Gasket
16	LB-20	12V, 20 Watt Halogen Lamp
17	V-0038	Halogen Socket
18	U-0023	Wing Nut
19	R-0002G	Lamp Housing
20	R-0014G	Adapter
21	V-0006	Cable Connector
22	G-0033G	Ground Stake
23	CB-250MD	250 Watt Transformer w/Light Sensor
24	B-0001	Light Sensor
25	B-0002	Motion Detector Assembly
26	CBL-100	100 Ft., 12 Gauge Cable