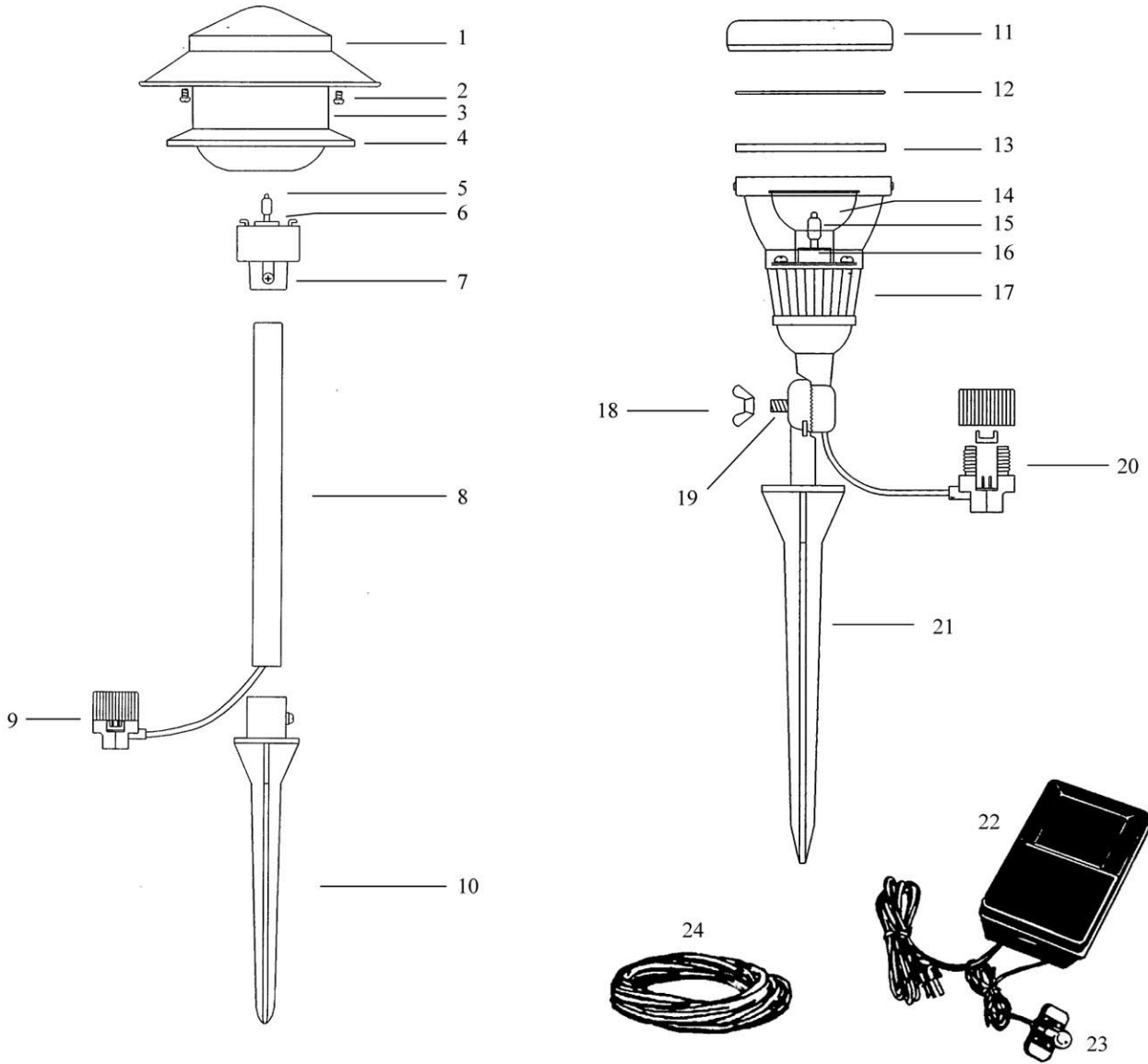


REPAIR PARTS



KEY NO.	PART NO.	DESCRIPTION
1	L-0017G	Lens Cap
2	N-0012	Mounting Screw
3	J-0022	Lens
4	K-0010G	Lens Center Ring
5	LB-12	12V, 12W Bulb
6	V-0023	Socket
7	H-0030G	Base
8	M-0014G	Extension Pipe
9	V-0006	Connector
10	G-0034G	Ground Stake

KEY NO.	PART NO.	DESCRIPTION
13	S-0019	Glass Lens
14	S-0017	Reflector
15	C-0005	12V, 10Watt Halogen Bulb
16	V-0015	Socket
17	R-0011 G	Housing
18	U-0001	Wing Nut
19	U-0017	Threaded Shaft
20	V-0006	Connector
21	G-0033 G	Ground Stake
22	A-0004	108W Transformer w/Light Sensor & Timer
23	B-0001	Light Sensor
24	D-0000	100 Ft., 16 Gauge Cable