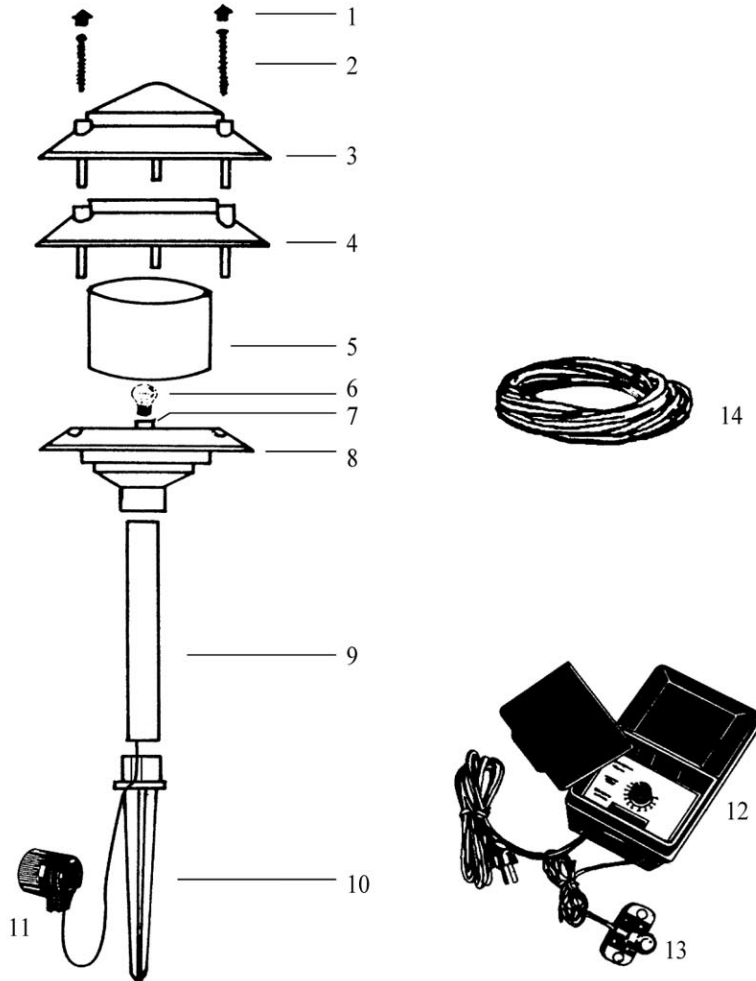


REPAIR PARTS



KEY NO.	PART NO.	DESCRIPTION
1	P-0011G	Green screw caps
2	N-0005	Mounting Screw
3	L-0005G	Lens Cap
4	K-0003G	Head Section
5	J-0010	Lens
6	LB-12B	12W/12V, Light bulb
7	V-0009-A	Socket Assembly
8	H-0007G	Lower Housing
9	P-0006G	Extension Pipe
10	G-0016	Ground Stake
11	V-0006	Cable Connector
12	A-0004	108 Watt Transformer w/ Light Sensor
13	B-0001	Light Sensor
14	D-0004	60 Ft., 16 Gage Cable